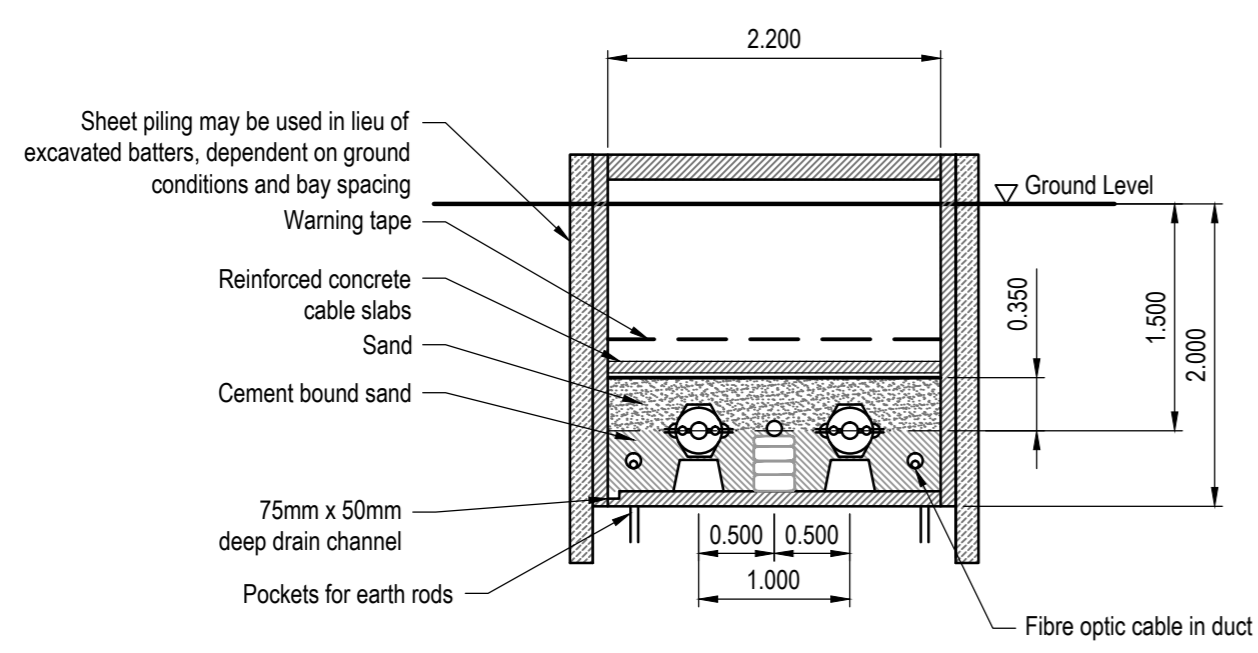
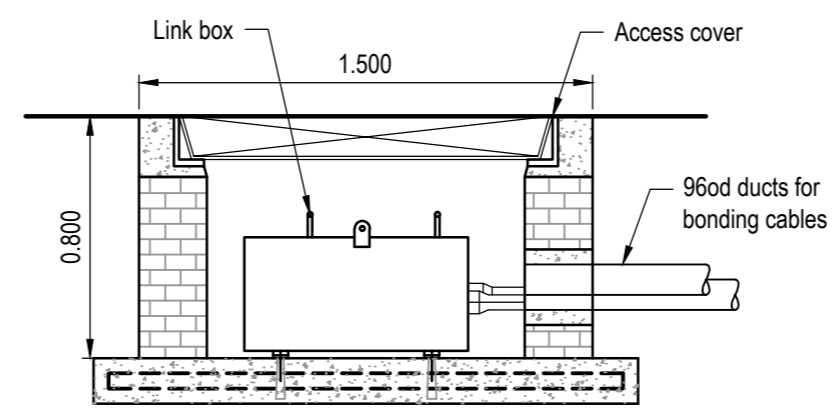


SECTIONAL ELEVATION ON CENTRE PHASE



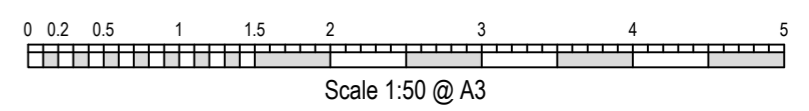
SECTION A-A



SECTION B-B

NOTE

1. Illustrative example of three bladed wind turbine, showing example 120m rotor. Foundation and connection (transition piece) not shown.



Project: Galloper Wind Farm	
Drawing Number: 2.18	Rev: 1
Title: Transition Bay - Illustrative Plan & Cross Section	
Regulation 5(2)(e)	
Date: 14/11/2011	Author: Peter Brett Associates LLP
Scale: 1:50	Page: A2
Datum:	Projection:

